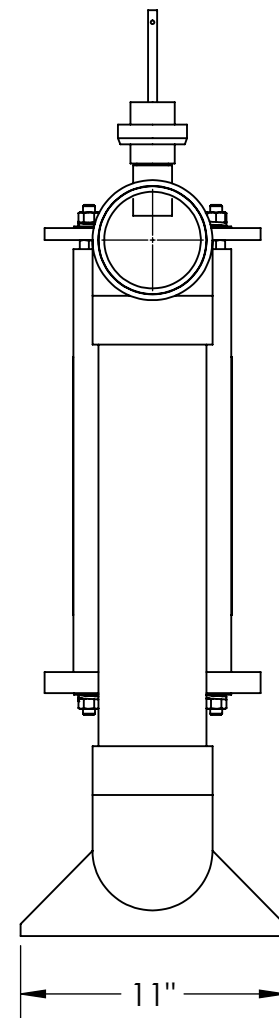
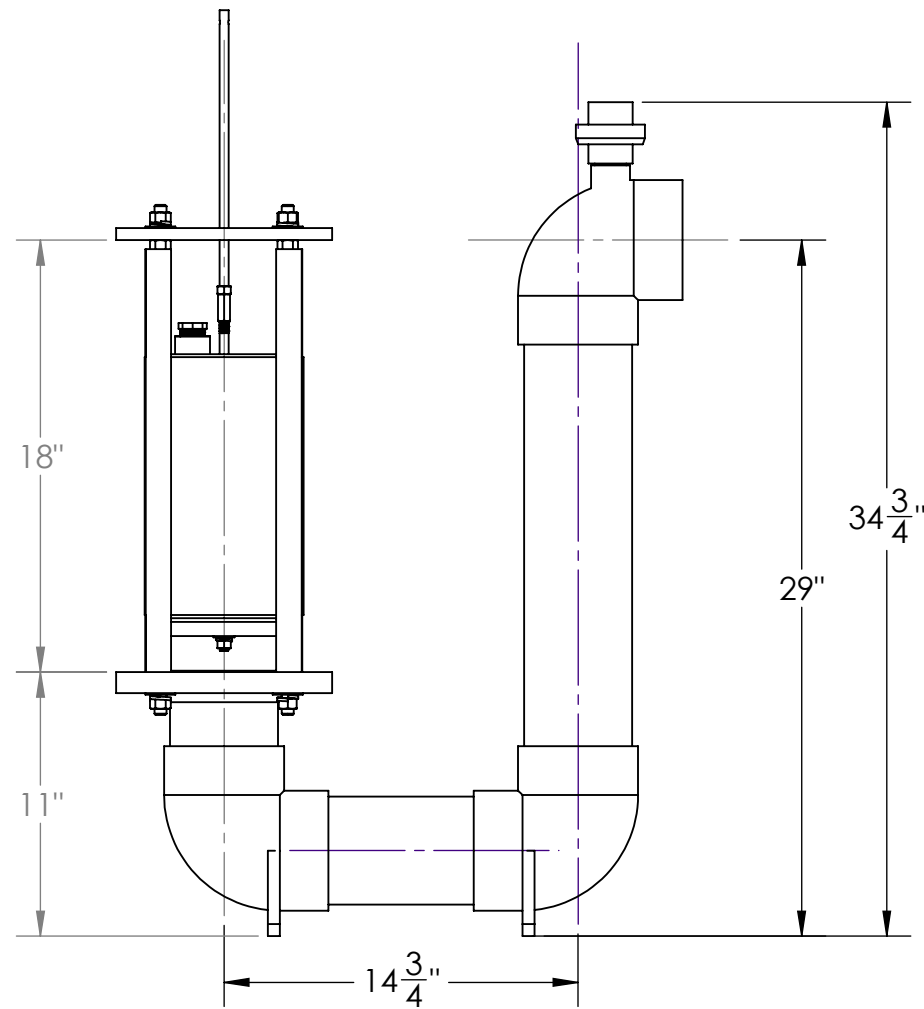
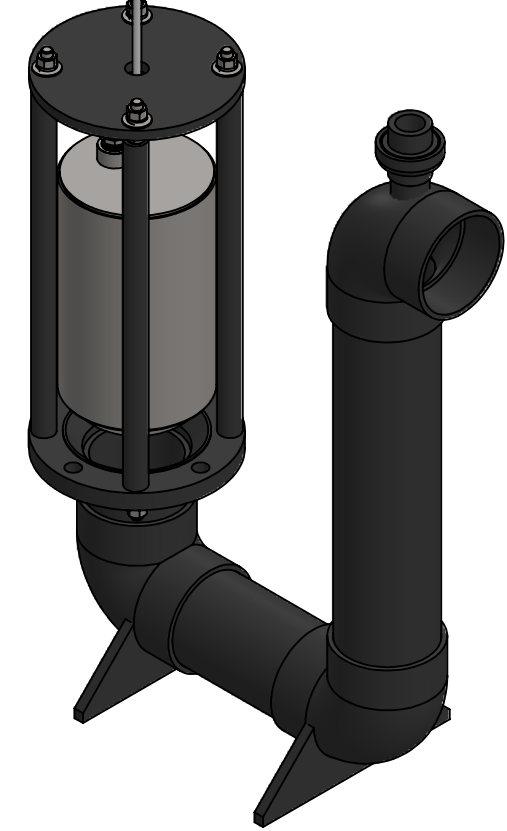




ATTACH 1/16" SS CABLE FOR MANUAL OPERATION



APPROXIMATE WEIGHT: 65LBS

 AFL INDUSTRIES, INC. 1101 WEST 13TH STREET RIVIERA BEACH, FLORIDA 33404	UPPER ASSEMBLY		NAME	DATE	TITLE: 4" OSV - PVC GENERAL ARRANGEMENT
	UNLESS OTHERWISE SPECIFIED: DIMENSIONS ARE IN INCHES TOLERANCES: FRACTIONAL $\pm 1/32$ ANGULAR: $X^{\circ} \pm 1^{\circ}$ TWO PLACE DECIMAL $\pm .250$ THREE PLACE DECIMAL $\pm .125$	INTERPRET GEOMETRIC TOLERANCING PER: ASME Y14.5M MATERIAL PVC PLASTIC FINISH PAINTED DO NOT SCALE DRAWING	USED ON PROPRIETARY AND CONFIDENTIAL THE INFORMATION CONTAINED IN THIS DRAWING IS THE SOLE PROPERTY OF RGF ENVIRONMENTAL, INC. ANY REPRODUCTION IN PART OR AS A WHOLE WITHOUT THE WRITTEN PERMISSION OF RGF ENVIRONMENTAL, INC. IS PROHIBITED.	DRAWN JRH APPROVED SJS	
			THIRD ANGLE PROJECTION 		SIZE B
			DWG. NO. OSV 4IN PVC		REV -
					SHEET 1 OF 6