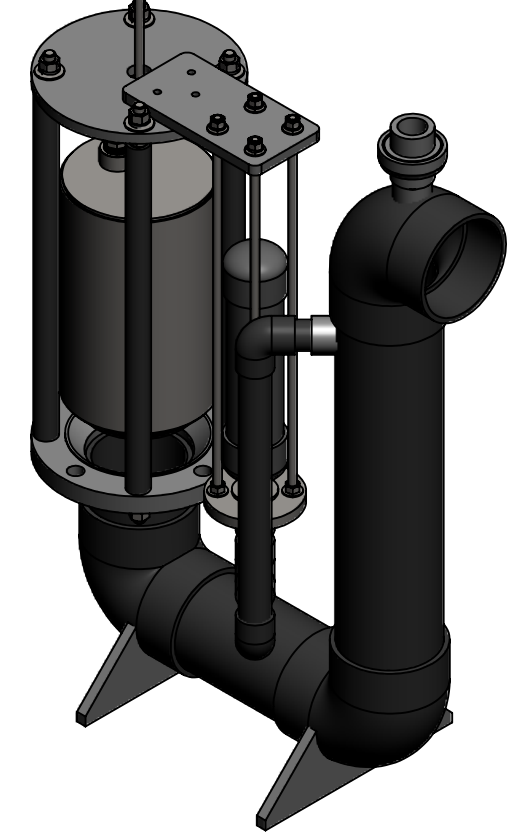
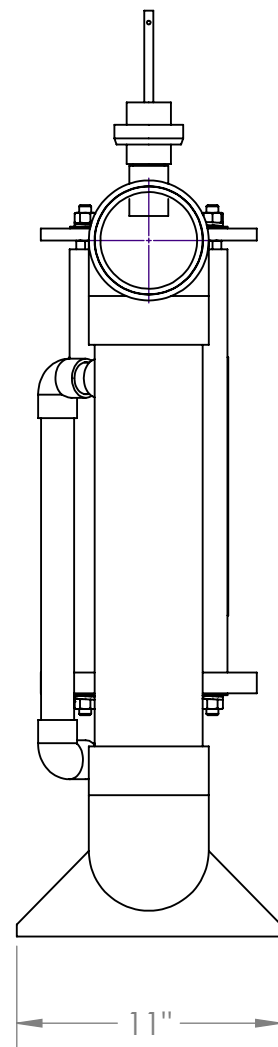
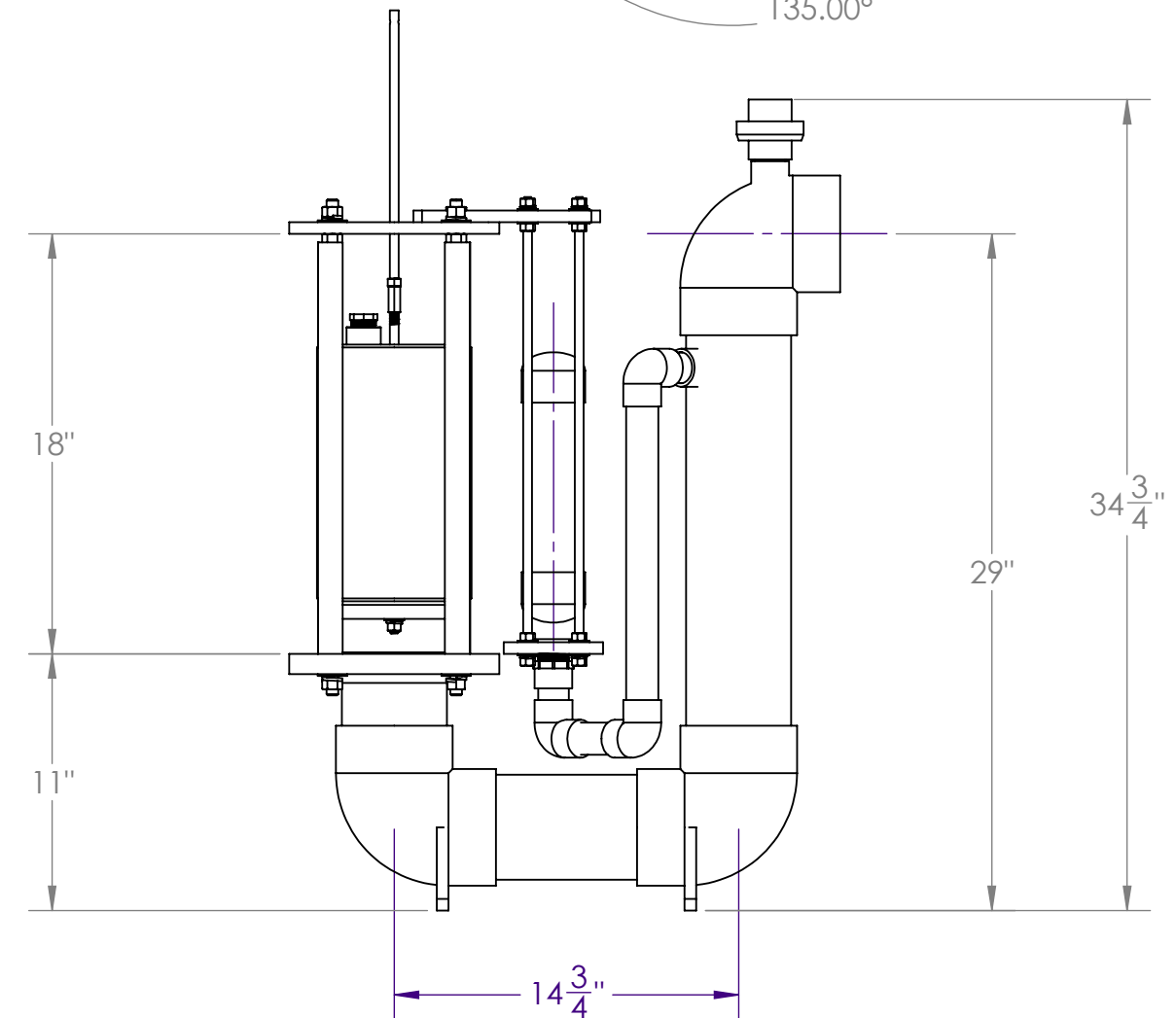
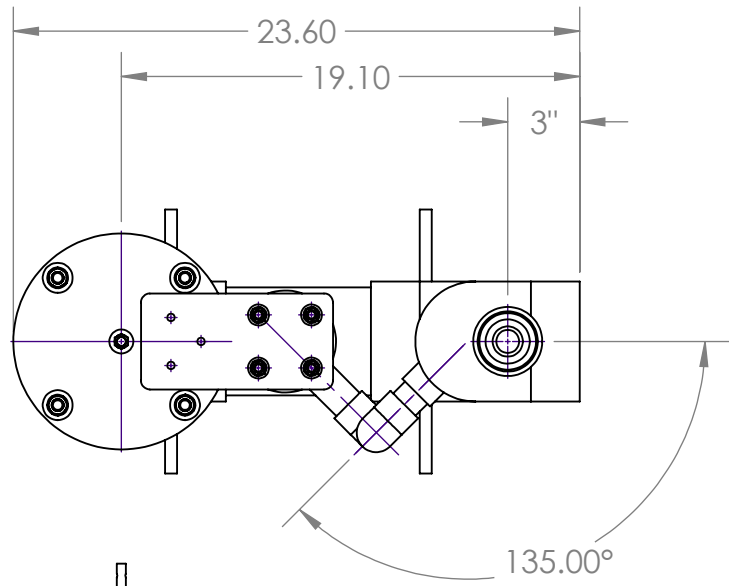




8 7 6 5 4 3 2 1

ATTACH 1/16" X 10' SS CABLE FOR MANUAL OPERATION



D
C
B
A

D
C
B
A

 AFL INDUSTRIES, INC. 1101 WEST 13TH STREET RIVIERA BEACH, FLORIDA 33404	UPPER ASSEMBLY		NAME	DATE	TITLE: OSV-4 PVC W/ SLAVE VALVE
	UNLESS OTHERWISE SPECIFIED: INTERPRET GEOMETRIC TOLERANCING PER: ASME Y14.5M MATERIAL		DRAWN	JRH	
DIMENSIONS ARE IN INCHES TOLERANCES: FRACTIONAL ± 1/32 ANGULAR: X° ± 1° TWO PLACE DECIMAL ± .250 THREE PLACE DECIMAL ± .125	PVC	USED ON	APPROVED	SJS	08/12/2015
	FINISH PAINTED	PROPRIETARY AND CONFIDENTIAL THE INFORMATION CONTAINED IN THIS DRAWING IS THE SOLE PROPERTY OF RGF ENVIRONMENTAL, INC. ANY REPRODUCTION IN PART OR AS A WHOLE WITHOUT THE WRITTEN PERMISSION OF RGF ENVIRONMENTAL, INC. IS PROHIBITED.	THIRD ANGLE PROJECTION		
	DO NOT SCALE DRAWING				
		SIZE B	DWG. NO. OSV 4IN PVC-SV	REV -	SHEET 1 OF 2

8 7 6 5 4 3 2 1