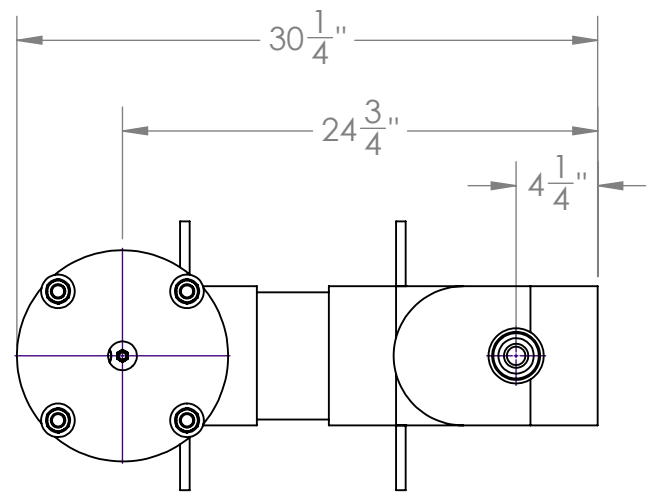
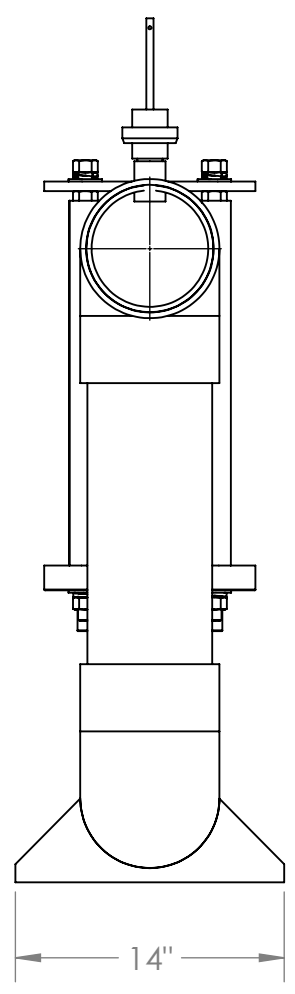
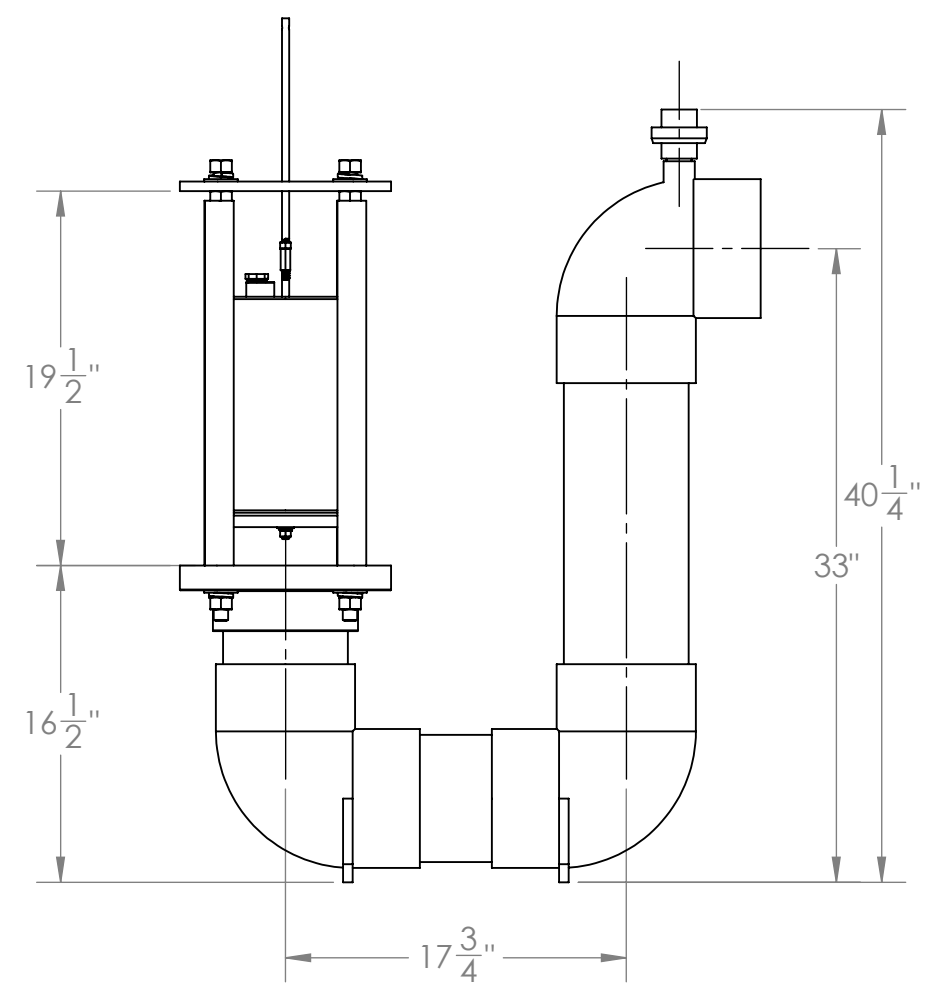
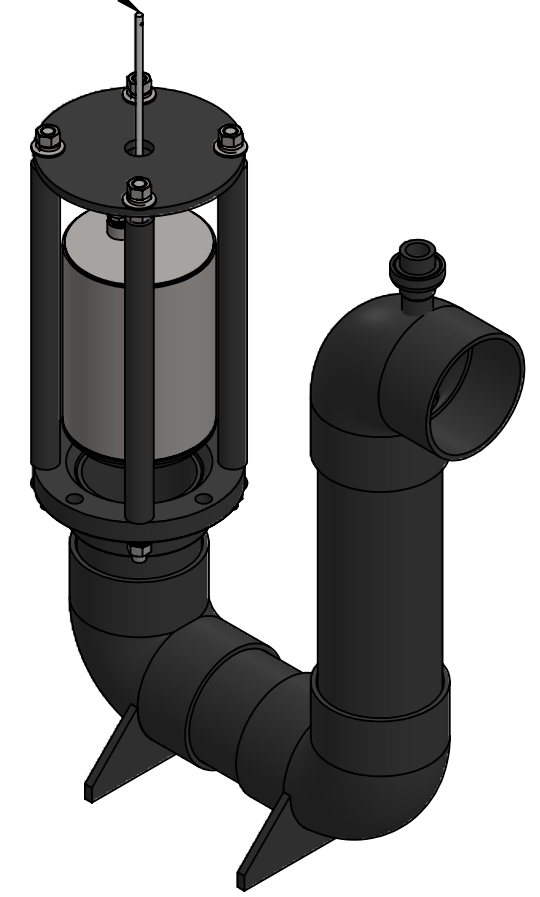




8 7 6 5 4 3 2 1



ATTACH 1/16" SS CABLE FOR MANUAL OPERATION



 AFL INDUSTRIES, INC. 1101 WEST 13TH STREET RIVIERA BEACH, FLORIDA 33404	INTERPRET GEOMETRIC TOLERANCING PER: ASME Y14.5M MATERIAL	UPPER ASSEMBLY	NAME JRH	DATE 01/08/2015	TITLE: GENERAL ARRANGEMENT		
		USED ON	DRAWN	APPROVED			
UNLESS OTHERWISE SPECIFIED: DIMENSIONS ARE IN INCHES TOLERANCES: FRACTIONAL $\pm 1/32$ ANGULAR: $X^\circ \pm 1^\circ$ TWO PLACE DECIMAL $\pm .250$ THREE PLACE DECIMAL $\pm .125$	PVC	PROPRIETARY AND CONFIDENTIAL THE INFORMATION CONTAINED IN THIS DRAWING IS THE SOLE PROPERTY OF RGF ENVIRONMENTAL, INC. ANY REPRODUCTION IN PART OR AS A WHOLE WITHOUT THE WRITTEN PERMISSION OF RGF ENVIRONMENTAL, INC. IS PROHIBITED.	THIRD ANGLE PROJECTION 		SIZE B	DWG. NO. OSV 6 INCH PVC	REV -
DO NOT SCALE DRAWING					SHEET 1 OF 5		

8 7 6 5 4 3 2 1