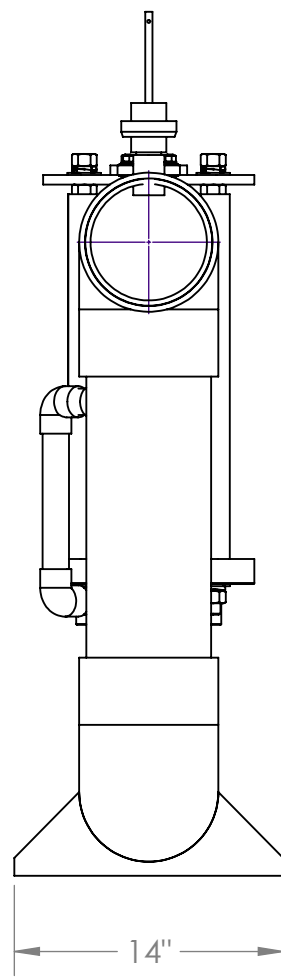
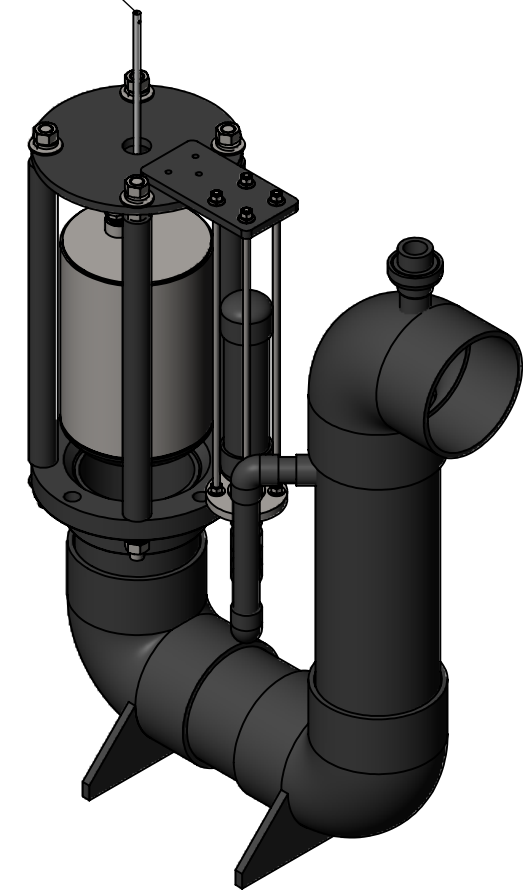




ATTACH 1/16" SS CABLE FOR MANUAL OPERATION



 AFL INDUSTRIES, INC. 1101 WEST 13TH STREET RIVIERA BEACH, FLORIDA 33404	UPPER ASSEMBLY		NAME	DATE	TITLE: 6" OIL STOP VALVE PVC W/ SLAVE VALVE
	UNLESS OTHERWISE SPECIFIED: DIMENSIONS ARE IN INCHES TOLERANCES: FRACTIONAL $\pm 1/32$ ANGULAR: $X^{\circ} \pm 1^{\circ}$ TWO PLACE DECIMAL $\pm .250$ THREE PLACE DECIMAL $\pm .125$	INTERPRET GEOMETRIC TOLERANCING PER: ASME Y14.5M MATERIAL PVC	USED ON PROPRIETARY AND CONFIDENTIAL THE INFORMATION CONTAINED IN THIS DRAWING IS THE SOLE PROPERTY OF RGF ENVIRONMENTAL, INC. ANY REPRODUCTION IN PART OR AS A WHOLE WITHOUT THE WRITTEN PERMISSION OF RGF ENVIRONMENTAL, INC. IS PROHIBITED.	DRAWN	
	FINISH		APPROVED		
	DO NOT SCALE DRAWING		THIRD ANGLE PROJECTION 		SIZE B
					DWG. NO. OSV 6 INCH PVC SV
					REV -
					SHEET 1 OF 2