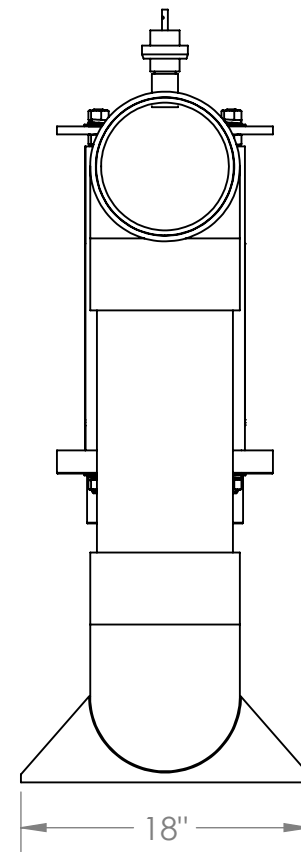
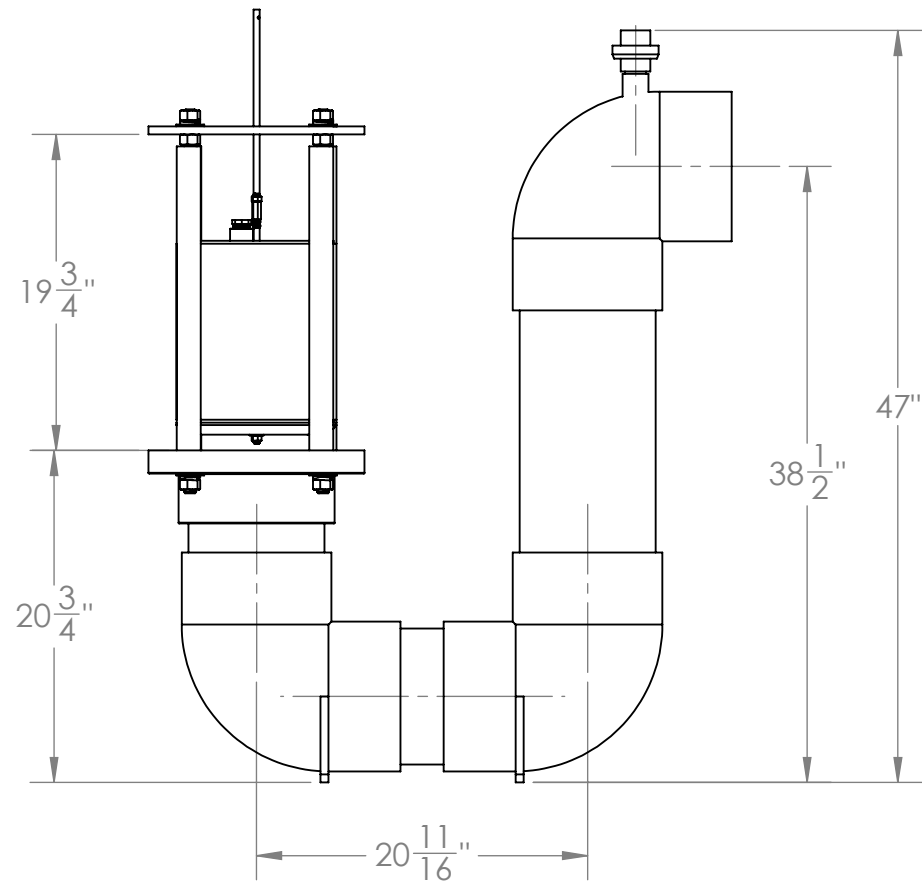
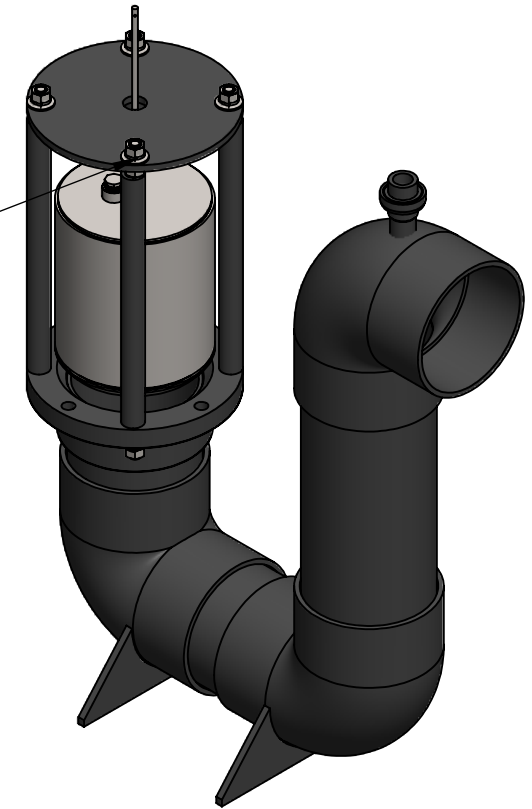




ATTACH 1/16" X 10' SS CABLE FOR MANUAL OPERATION



 AFL INDUSTRIES, INC. 1101 WEST 13TH STREET RIVIERA BEACH, FLORIDA 33404	INTERPRET GEOMETRIC TOLERANCING PER: ASME Y14.5M MATERIAL PVC	UPPER ASSEMBLY	NAME JRH	DATE 01/13/2015	TITLE: OSV 8 INCH PVC GENERAL ARRANGEMENT		
		USED ON	DRAWN APPROVED	REV			
UNLESS OTHERWISE SPECIFIED: DIMENSIONS ARE IN INCHES TOLERANCES: FRACTIONAL $\pm 1/32$ ANGULAR: $X^{\circ} \pm 1^{\circ}$ TWO PLACE DECIMAL $\pm .250$ THREE PLACE DECIMAL $\pm .125$	FINISH DO NOT SCALE DRAWING	PROPRIETARY AND CONFIDENTIAL THE INFORMATION CONTAINED IN THIS DRAWING IS THE SOLE PROPERTY OF RGF ENVIRONMENTAL, INC. ANY REPRODUCTION IN PART OR AS A WHOLE WITHOUT THE WRITTEN PERMISSION OF RGF ENVIRONMENTAL, INC. IS PROHIBITED.	THIRD ANGLE PROJECTION 		SIZE B	DWG. NO. OSV 8IN PVC	REV -
SHEET 1 OF 5							