



WE ARE RGF®

LUCIDIUM® ADAPT Universal UV-C Lamp Replacement

UV-C lamps require periodic replacement to ensure continuous system efficiency. RGF's Lucidium® Adapt provides a universal solution, offering a single UV-C lamp designed to fit the majority of leading in-duct air purification systems. Its unique adapter base is designed to fit a wide range of commonly used air purification devices, enhancing versatility and ease of use.

The Lucidium® Adapt universal UV-C lamp replacement kit includes a 14-inch UV-C lamp, available in both 1-year and 2-year lifespan options, accompanied by the Adapt base plate for a secure and straight forward installation. Lucidium® Adapt streamlines the maintenance process, offering a single part number to fit a variety of devices, and provide assurance that your air purification system continues to operate at peak performance.



WHOLE HOME



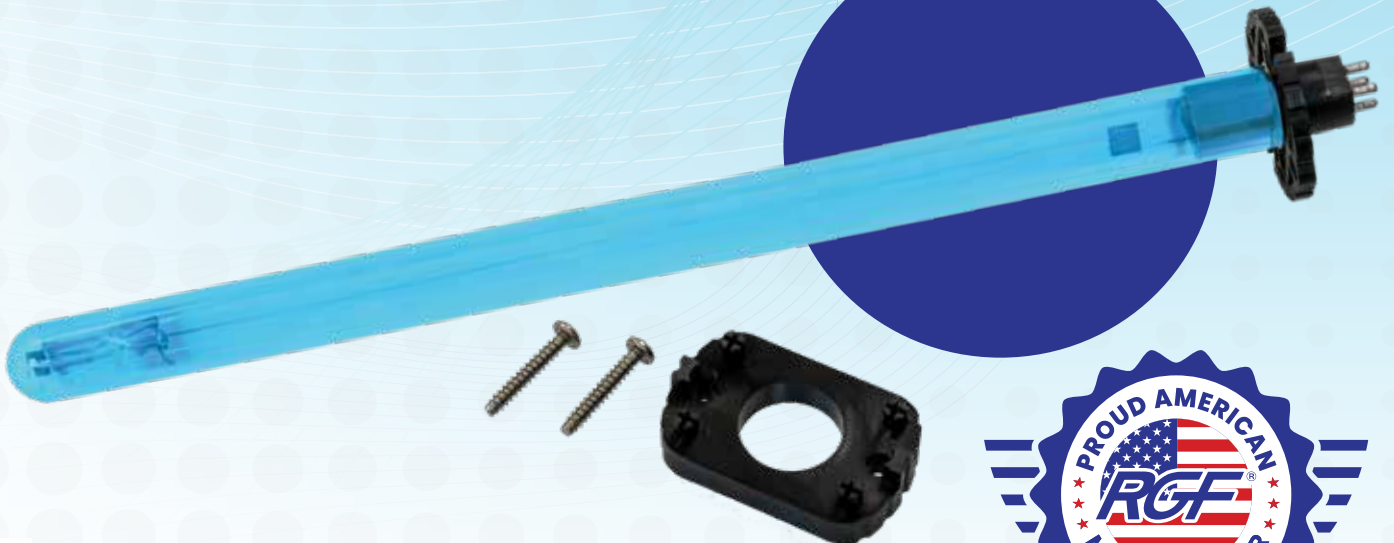
UV-C LIGHT



COIL MAINT.



QUICK RELEASE



RGF
ENVIRONMENTAL GROUP, INC.

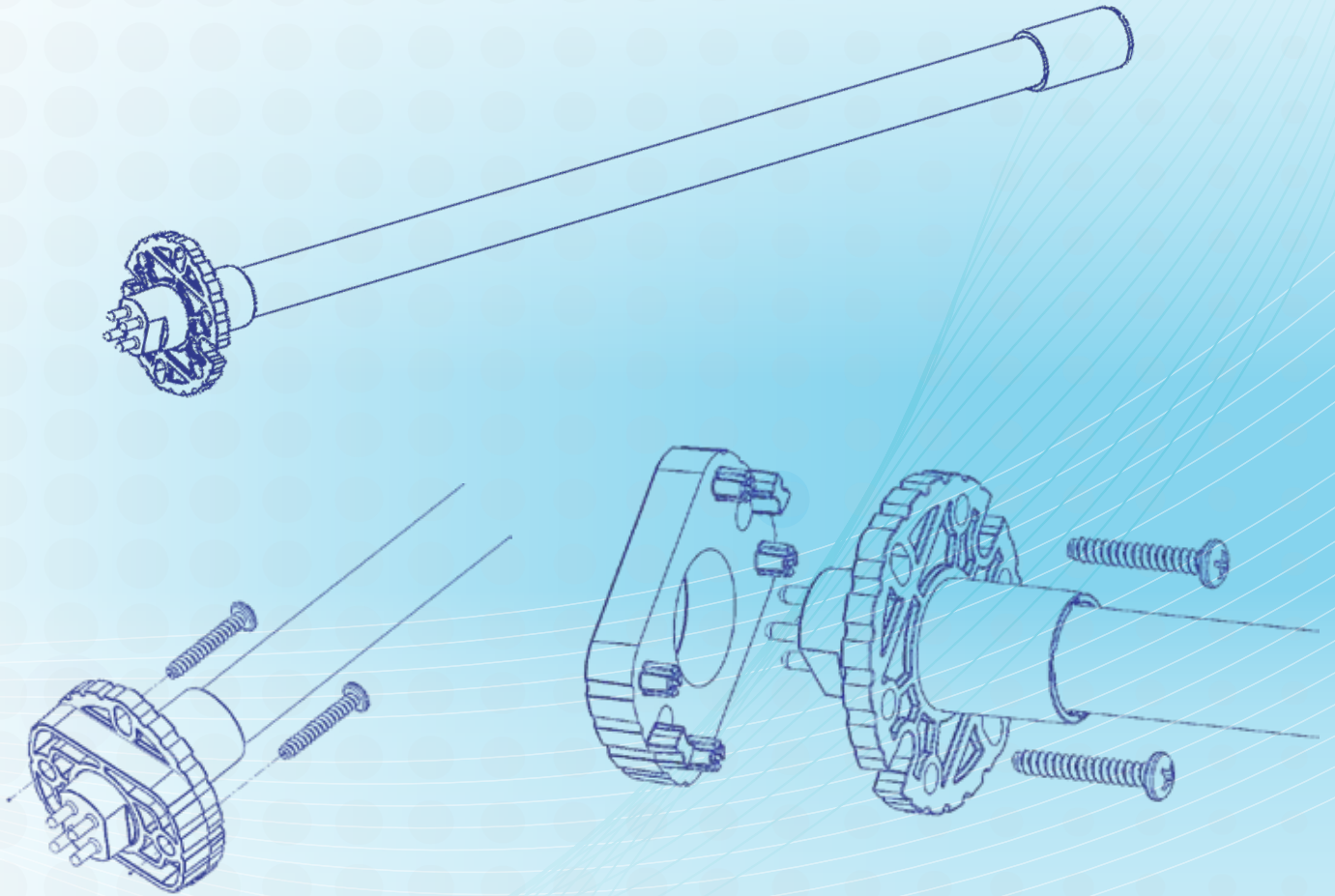
TO LEARN MORE, VISIT: RGF.COM



Why use RGF's Lucidium® Adapt?

Many in-duct air purification devices that rely on UV-based technology to operate, require routine replacement once they reach the manufacturer's specified lifespan. The common lamp replacement cycle varies by model, with recommendations for 1- or 2-year intervals, corresponding to 9,000 and 18,000 hours, respectively. Adhering to these recommendations results in a more efficient air purifier or coil sanitation system. RGF is proud to manufacture our UV light systems in America, ensuring quality and availability.

LUCIDIUM® ADAPT Universal UV-C Lamp Replacement



ITEM#	WARRANTY	ELECTRICAL	DIMENSIONS	SHIP WT.
PHIC-ADPT-1Y	1 year (U.S. only)	24 VAC	16" x 3" x 3"	1 lbs.
PHIC-ADPT-2Y	2 year (U.S. only)	24 VAC	16" x 3" x 3"	1 lbs.

MATERIALS

Aluminum / Polymers

RGF[®]
ENVIRONMENTAL GROUP, INC.

TO LEARN MORE, VISIT: RGF.COM